



## Filling valve set

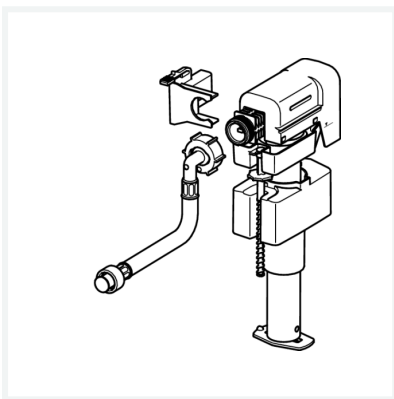
- for concealed cistern 3H

### Components

filling valve, filling valve holder, filling hose

**Model 8580.3**

**Article 786 090**



## Properties

---

Weight	211.5 g
Volume	12432 cm <sup>3</sup>
Material	plastic